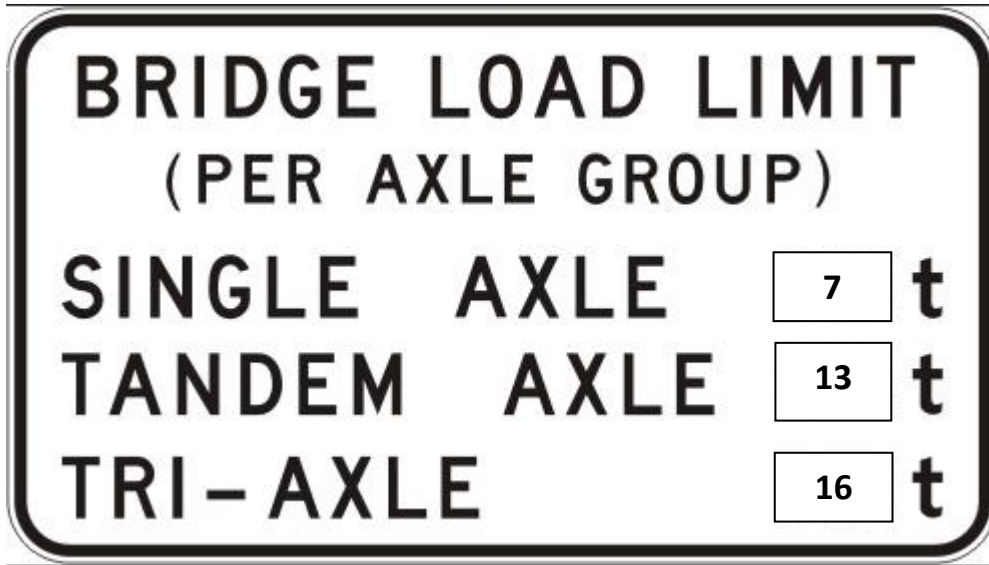
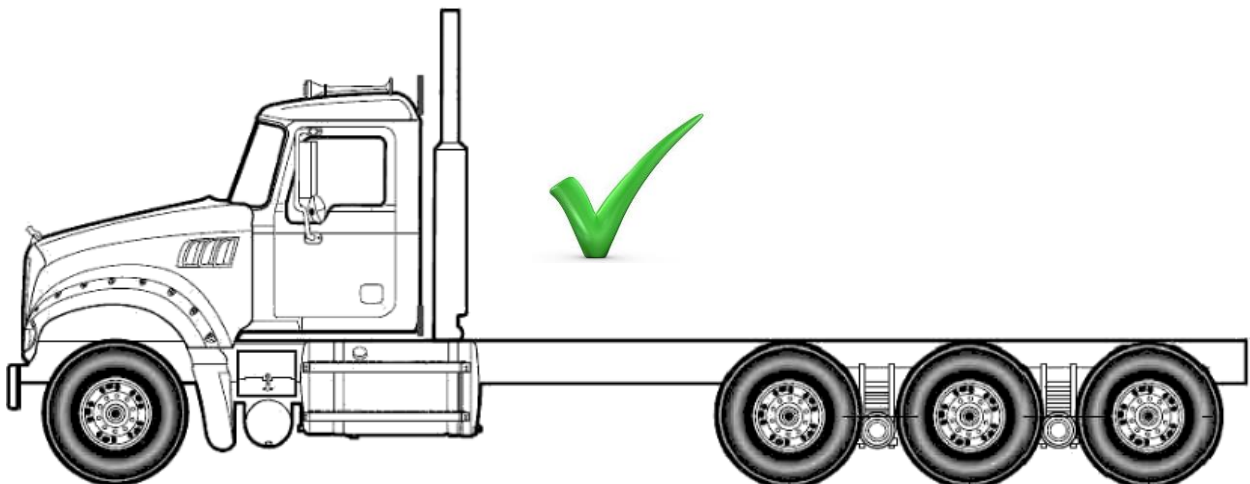


Understanding Per Axle Load Limit Signage

Anvil Creek Bridge has the following sign installed

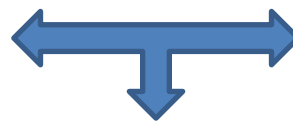


The images below show how to take the sign to a real life example vehicle. Providing the mass shown is less than or equal to the limit this vehicle may use the bridge.

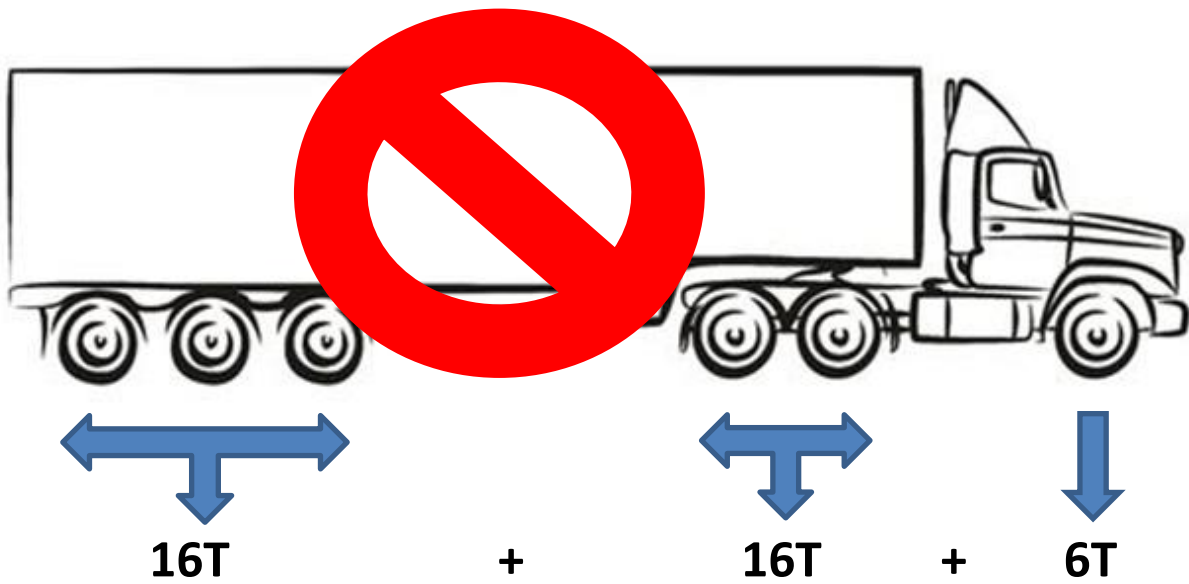
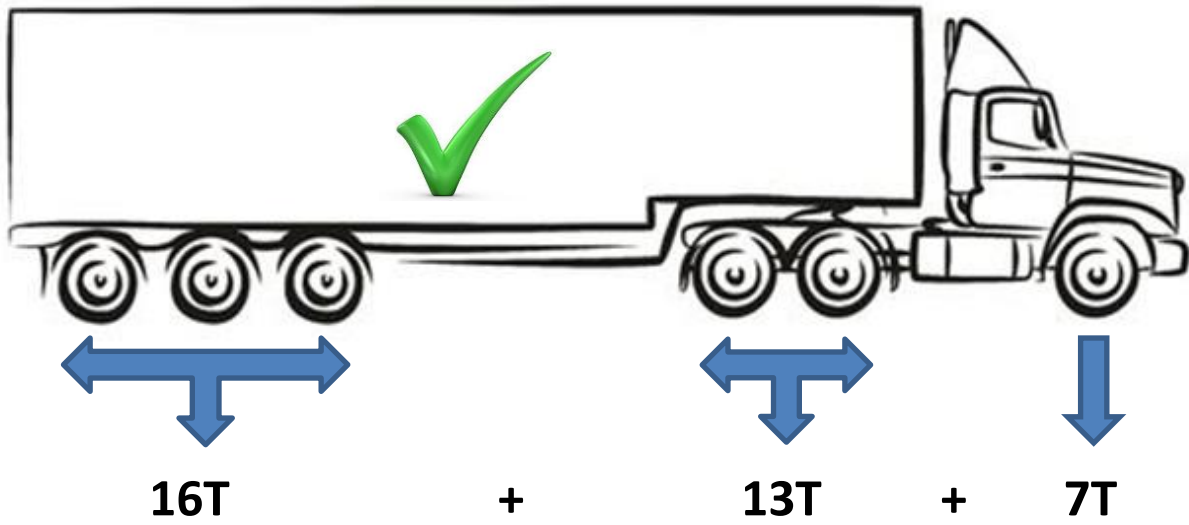


7T

+



16T



This vehicle is not able to cross the bridge because the tandem axle load of 16T exceeds the maximum tandem axle limit of 13T , even though the other axles are less than their respective limits.